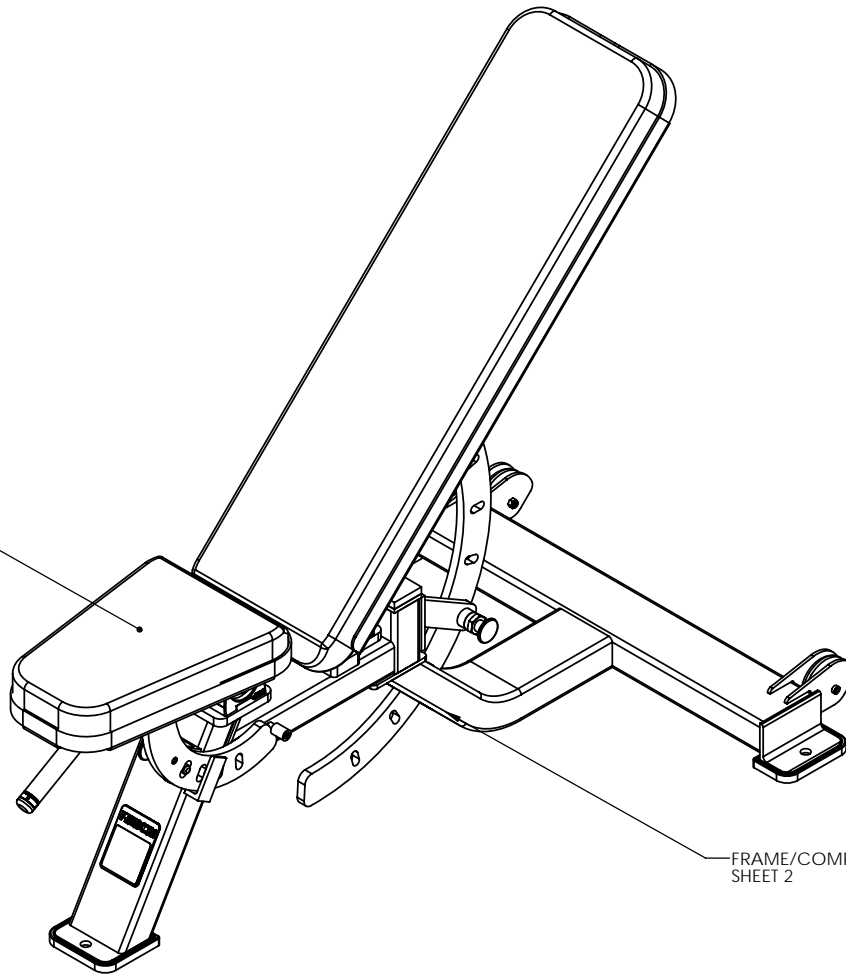
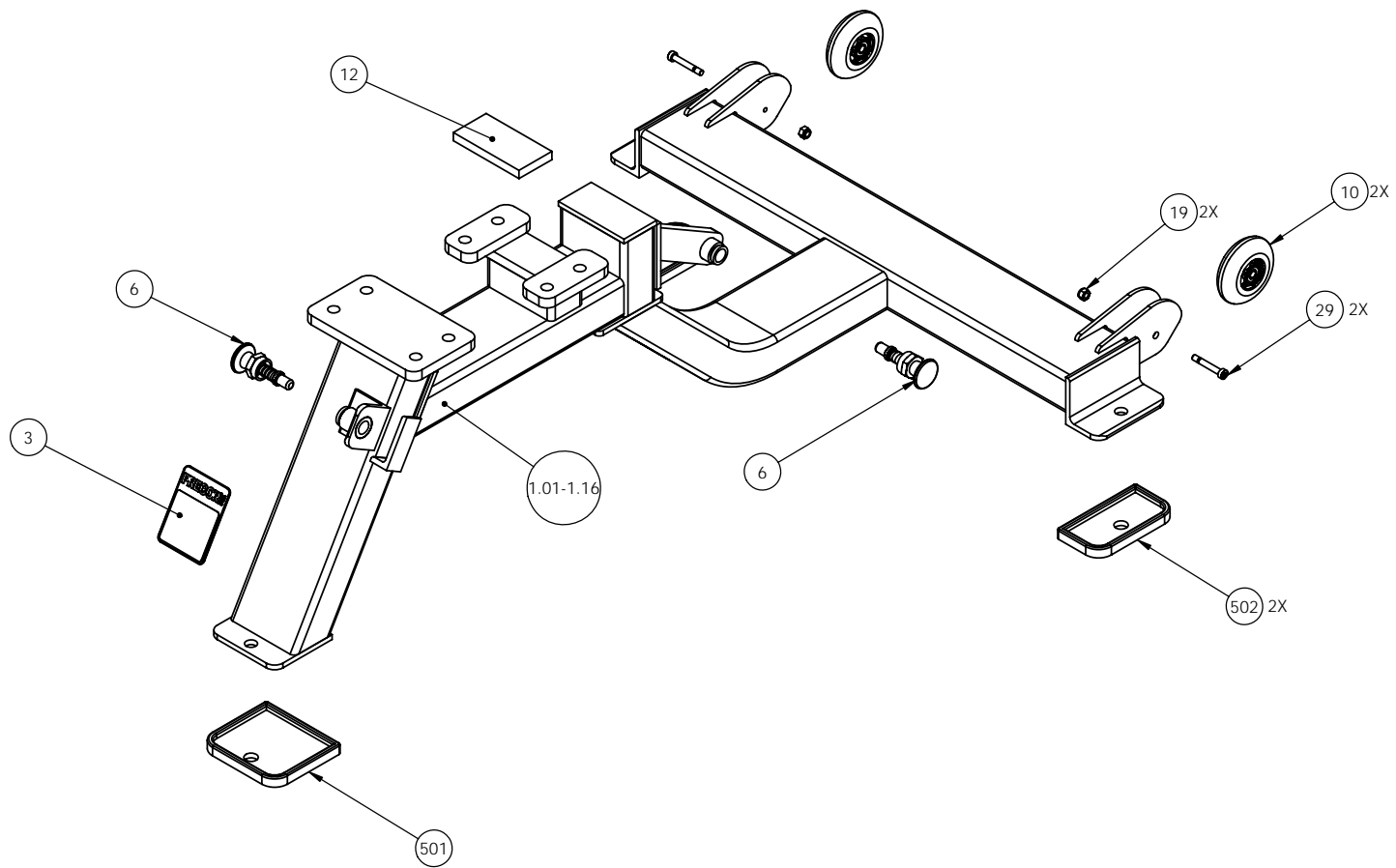


SEET FRAMES/PADS,
SHEET 3

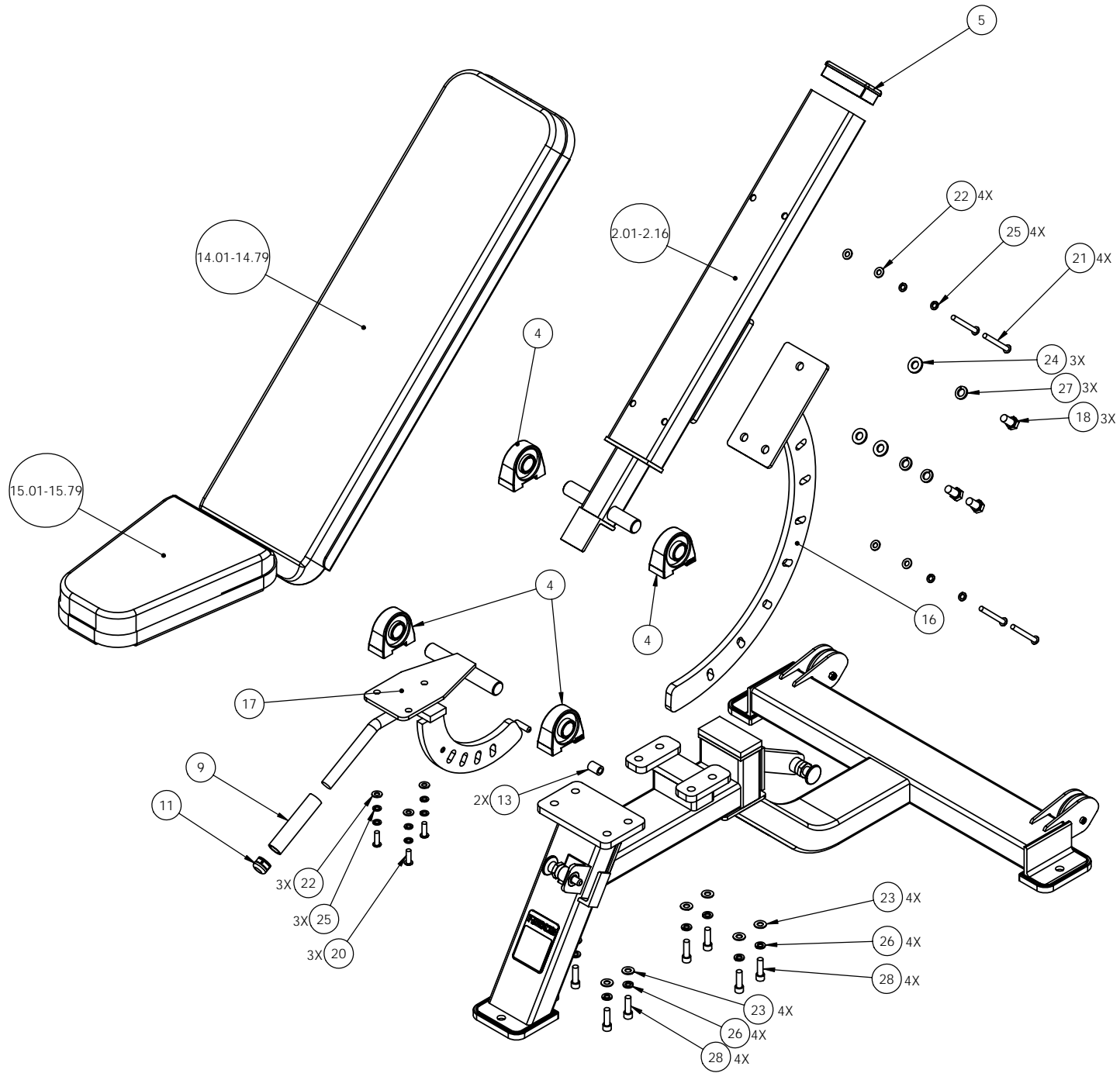


FRAME/COMPONENTS,
SHEET 2

119	P/N : CW30927-101	SUBREV : B
DRAWN BY : CT	DATE : 10.01.05	SHEET 1 OF 3



119	P/N : CW30927-101	SUBREV : B
DRAWN BY : CT	DATE : 10.01.05	SHEET 2 OF 3



119	P/N : CW30927-101	SUBREV : B
DRAWN BY : CT	DATE : 10.01.05	SHEET 3 OF 3

119 Super Bench

Part Number	Description	Bubble Number
CW119SA1-211	ASSY,FRAME,MAIN,119,SKY WHITE	1.01
CW119SA1-221	ASSY,FRAME,MAIN,119,BLACK	1.02
CW119SA1-231	ASSY,FRAME,MAIN,119,RED	1.03
CW119SA1-241	ASSY,FRAME,MAIN,119,BLACK ONYX	1.04
CW119SA1-251	ASSY,FRAME,MAIN,119,SILVER	1.05
CW119SA1-261	ASSY,FRAME,MAIN,119,BLUE	1.06
CW119SA1-271	ASSY,FRAME,MAIN,119,CHARCOAL	1.07
CW119SA1-281	ASSY,FRAME,MAIN,119,CATHEDRAL GREY	1.08
CW119SA1-291	ASSY,FRAME,MAIN,119,SILVER VIEN	1.09
CW119SA1-311	ASSY,FRAME,MAIN,119,STONE HG	1.11
CW119SA1-321	ASSY,FRAME,MAIN,119,TITANIUM HG	1.12
CW119SA1-331	ASSY,FRAME,MAIN,119,WHITE GLOSS	1.13
CW119SA1-341	ASSY,FRAME,MAIN,119,BLACK ONYX	1.14
CW119SA1-351	ASSY,FRAME,MAIN,119,LIGHT BRONZE	1.15
CW119SA1-361	ASSY,FRAME,MAIN,119,SAPPHIRE BLUE	1.16
CW119SA2-211	ASSY,FRAME,BACK,119,SKY WHITE	2.01
CW119SA2-221	ASSY,FRAME,BACK,119,BLACK	2.02
CW119SA2-231	ASSY,FRAME,BACK,119,RED	2.03
CW119SA2-241	ASSY,FRAME,BACK,119,PLATINUM SPRKL	2.04
CW119SA2-251	ASSY,FRAME,BACK,119,SILVER	2.05
CW119SA2-261	ASSY,FRAME,BACK,119,BLUE	2.06
CW119SA2-271	ASSY,FRAME,BACK,119,CHARCOAL	2.07
CW119SA2-281	ASSY,FRAME,BACK,119,CATHEDRAL GREY	2.08
CW119SA2-291	ASSY,FRAME,BACK,119,SILVER VIEN	2.09
CW119SA2-311	ASSY,FRAME,BACK,119,STONE HG	2.11
CW119SA2-321	ASSY,FRAME,BACK,119,TITANIUM HG	2.12
CW119SA2-331	ASSY,FRAME,BACK,119,WHITE GLOSS	2.13
CW119SA2-341	ASSY,FRAME,BACK,119,BLACK ONYX	2.14
CW119SA2-351	ASSY,FRAME,BACK,119,LIGHT BRONZE	2.15
CW119SA2-361	ASSY,FRAME,BACK,119,SAPPHIRE BLUE	2.16
CW31759-101	LABEL,SMALL PRECOR USA ICARIAN LINE	3
CW12406-101	PILLOW BLOCK, BEARING, 2 BOLT	4
CW11311-102	ENDCAP, REC TUBE, 2X4, BLK PLASTIC	5
CW30165-751	ASSY, POP PIN, 0.450 DIA HANDLE, B	6
CWGR2504-500	GRIP,RUBBER,3/4" DIA, 4-1/2"	9
CW12410-101	ASSY, WHEEL, 80MM OD, 82A, W/ BEARI	10
CWAC220-901	HANDLE END CAP W/SET SCREWS, DIA 3/	11
CW30014-105	CUT PIECE, CREPE, 7/16 X 2 X 4	12
CW10340-088	TUBE, VINYL, 5/8 OD X 3/8 ID X .875	13
CWPD1307B-101	PAD,10X36,4HLS,NTCHD END,W/BP,BLACK	14.01
CWPD1307B-102	PAD,10X36,4HLS,NTCHD END,W/BP,RYL B	14.02
CWPD1307B-103	PAD,10X36,4HLS,NTCHD END,W/BP,DV GR	14.03
CWPD1307B-104	PAD,10X36,4HLS,NTCHD END,W/BP,CRCUS	14.04
CWPD1307B-105	PAD,10X36,4HLS,NTCHD END,W/BP,GROTT	14.05
CWPD1307B-106	PAD,10X36,4HLS,NTCHD END,W/BP,GRPHT	14.06
CWPD1307B-107	PAD,10X36,4HLS,NTCHD END,W/BP,RED	14.07
CWPD1307B-108	PAD,10X36,4HLS,NTCHD END,W/BP,CHGRN	14.08
CWPD1307B-109	PAD,10X36,4HLS,NTCHD END,W/BP,TURQS	14.09
CWPD1307B-110	PAD,10X36,4HLS,NTCHD END,W/BP,RASP	14.1

CWPD1307B-111	PAD,10X36,4HLS,NTCHD END,W/BP,PLUM	14.11
CWPD1307B-112	PAD,10X36,4HLS,NTCHD END,W/BP,RGMNT	14.12
CWPD1307B-113	PAD,10X36,4HLS,NTCHD END,W/BP,SP BL	14.13
CWPD1307B-115	PAD,10X36,4HL,NTCHD END,W/BP,BLK LT	14.15
CWPD1307B-116	PAD,10X36,4HL,NTCHD END,W/BP,NBL LT	14.16
CWPD1307B-117	PAD,10X36,4HL,NTCHD END,W/BP,PUTTY	14.17
CWPD1307B-118	PAD,10X36,4HL,NTCHD END,W/BP,IMPL BL	14.18
CWPD1307B-119	PAD,10X36,4HL,NTCHD END,W/BP,YW GRN	14.19
CWPD1307B-120	PAD,10X36,4HL,NTCHD END,W/BP,DSTY JD	14.2
CWPD1307B-121	PAD,10X36,4HL,NTCHD END,W/BP,TER COT	14.21
CWPD1307B-122	PAD,10X36,4HL,NTCHD END,W/BP,PAPRIKA	14.22
CWPD1307B-123	PAD,10X36,4HL,NTCHD END,W/BP,ASH LTH	14.23
CWPD1307B-124	PD,10X36,4H,NTCHEND,W/BP,CERULN LTH	14.24
CWPD1307B-125	PD,10X36,4H,NTCHEND,W/BP,CHARCL LTH	14.25
CWPD1307B-126	PD,10X36,4H,NTCHEND,W/BP,HUNTR LTH	14.26
CWPD1307B-127	PD,10X36,4H,NTCHD END,W/BP,MOSS LTH	14.27
CWPD1307B-128	PD,10X36,4H,NTCHD END,W/BP,SPICE LTH	14.28
CWPD1307B-129	PD,10X36,4H,NTCHD END,W/BP,TOMTO LTH	14.29
CWPD1307C-101	PAD,10X36,4HL,NTCHD END,W/PRO,BLACK	14.51
CWPD1307C-102	PAD,10X36,4HL,NTCHD END,W/PRO,RY BL	14.52
CWPD1307C-103	PAD,10X36,4HL,NTCHD END,W/PRO,DV GR	14.53
CWPD1307C-104	PAD,10X36,4HL,NTCHD END,W/PRO,CRCUS	14.54
CWPD1307C-105	PAD,10X36,4HL,NTCHD END,W/PRO,GRTTO	14.55
CWPD1307C-106	PAD,10X36,4HL,NTCHD END,W/PRO,GRPHT	14.56
CWPD1307C-107	PAD,10X36,4HL,NTCHD END,W/PRO,RED	14.57
CWPD1307C-108	PAD,10X36,4HL,NTCHD END,W/PRO,CH GR	14.58
CWPD1307C-109	PAD,10X36,4HL,NTCHD END,W/PRO,TURQS	14.59
CWPD1307C-110	PAD,10X36,4HL,NTCHD END,W/PRO,RASP	14.6
CWPD1307C-111	PAD,10X36,4HL,NTCHD END,W/PRO,PLUM	14.61
CWPD1307C-112	PAD,10X36,4HL,NTCHD END,W/PRO,RGMNT	14.62
CWPD1307C-113	PAD,10X36,4HL,NTCHD END,W/PRO,SPC B	14.63
CWPD1307C-115	PAD,10X36,4HL,NTCHD END,W/PR,BLK LT	14.65
CWPD1307C-116	PAD,10X36,4HL,NTCHD END,W/PR,NBL LT	14.66
CWPD1307C-117	PAD,10X36,4HL,NTCHD END,W/PRO,PUTTY	14.67
CWPD1307C-118	PAD,10X36,4HL,NTCHD END,W/PRO,IMP BL	14.68
CWPD1307C-119	PAD,10X36,4HL,NTCHD END,W/PRO,YW GRN	14.69
CWPD1307C-120	PAD,10X36,4HL,NTCHD END,W/PRO,DST JD	14.7
CWPD1307C-121	PAD,10X36,4HL,NTCHD END,W/PRO,TRA CT	14.71
CWPD1307C-122	PAD,10X36,4HL,NTCHD END,W/PRO,PAPRKA	14.72
CWPD1307C-123	PD,10X36,4H,NTCHEND,W/PRO,ASH LTHR	14.73
CWPD1307C-124	PD,10X36,4H,NTCHEND,W/PRO,CERLN LTH	14.74
CWPD1307C-125	PD,10X36,4H,NTCHEND,W/PRO,CHRCL LTH	14.75
CWPD1307C-126	PD,10X36,4H,NTCHEND,W/PRO,HUNTR LTH	14.76
CWPD1307C-127	PD,10X36,4H,NTCHEND,W/PRO,MOSS LTH	14.77
CWPD1307C-128	PD,10X36,4H,NTCHEND,W/PRO,SPICE LTH	14.78
CWPD1307C-129	PD,10X36,4H,NTCHEND,W/PRO,TOMTO LTH	14.79
CWPD1308B-101	PAD,6X10X14.5,3HLS,2SLOT,W/BP,BLACK	15.01
CWPD1308B-102	PAD,6X10X14.5,3HLS,2SLOT,W/BP,RYL B	15.02
CWPD1308B-103	PAD,6X10X14.5,3HLS,2SLOT,W/BP,DV GR	15.03
CWPD1308B-104	PAD,6X10X14.5,3HLS,2SLOT,W/BP,CRCUS	15.04
CWPD1308B-105	PAD,6X10X14.5,3HLS,2SLOT,W/BP,GROTT	15.05

CWPD1308B-106	PAD,6X10X14.5,3HLS,2SLOT,W/BP,GRPHT	15.06
CWPD1308B-107	PAD,6X10X14.5,3HLS,2SLOT,W/BP,RED	15.07
CWPD1308B-108	PAD,6X10X14.5,3HLS,2SLOT,W/BP,CHGRN	15.08
CWPD1308B-109	PAD,6X10X14.5,3HLS,2SLOT,W/BP,TURQS	15.09
CWPD1308B-110	PAD,6X10X14.5,3HLS,2SLOT,W/BP,RASP	15.1
CWPD1308B-111	PAD,6X10X14.5,3HLS,2SLOT,W/BP,PLUM	15.11
CWPD1308B-112	PAD,6X10X14.5,3HLS,2SLOT,W/BP,RGMNT	15.12
CWPD1308B-113	PAD,6X10X14.5,3HLS,2SLOT,W/BP,SP BL	15.13
CWPD1308B-115	PAD,6X10X14.5,3HLS,2SLOT,W/BP,BLK L	15.15
CWPD1308B-116	PAD,6X10X14.5,3HLS,2SLOT,W/BP,NBL L	15.16
CWPD1308B-117	PAD,6X10X14.5,3HLS,2SLOT,W/BP,PUTTY	15.17
CWPD1308B-118	PAD,6X10X14.5,3HL,2SLT,W/BP,IMPL BL	15.18
CWPD1308B-119	PAD,6X10X14.5,3HLS,2SLT,W/BP,YW GRN	15.19
CWPD1308B-120	PAD,6X10X14.5,3HLS,2SLT,W/BP,DST JD	15.2
CWPD1308B-121	PAD,6X10X14.5,3HL,2SLT,W/BP,TER COT	15.21
CWPD1308B-122	PAD,6X10X14.5,3HL,2SLT,W/BP,PAPRIKA	15.22
CWPD1308B-123	PD,6X10X14.5,3H,2SLT,W/BP,ASH LTHR	15.23
CWPD1308B-124	PD,6X10X14.5,3H,2SLT,W/BP,CERLN LTH	15.24
CWPD1308B-125	PD,6X10X14.5,3H,2SLT,W/BP,CHRCL LTH	15.25
CWPD1308B-126	PD,6X10X14.5,3H,2SLT,W/BP,HUNTR LTH	15.26
CWPD1308B-127	PD,6X10X14.5,3H,2SLT,W/BP,MOSS LTH	15.27
CWPD1308B-128	PD,6X10X14.5,3H,2SLT,W/BP,SPICE LTH	15.28
CWPD1308B-129	PD,6X10X14.5,3H,2SLT,W/BP,TOMTO LTH	15.29
CWPD1308C-101	PAD,6X10X14.5,3HLS,2SLOT,W/PRO,BLAC	15.51
CWPD1308C-102	PAD,6X10X14.5,3HLS,2SLOT,W/PRO,RY B	15.52
CWPD1308C-103	PAD,6X10X14.5,3HLS,2SLOT,W/PRO,DV G	15.53
CWPD1308C-104	PAD,6X10X14.5,3HLS,2SLOT,W/PRO,CRCU	15.54
CWPD1308C-105	PAD,6X10X14.5,3HLS,2SLOT,W/PRO,GRTT	15.55
CWPD1308C-106	PAD,6X10X14.5,3HLS,2SLOT,W/PRO,GRPH	15.56
CWPD1308C-107	PAD,6X10X14.5,3HLS,2SLOT,W/PRO,RED	15.57
CWPD1308C-108	PAD,6X10X14.5,3HLS,2SLOT,W/PRO,CHGR	15.58
CWPD1308C-109	PAD,6X10X14.5,3HLS,2SLOT,W/PRO,TURQ	15.59
CWPD1308C-110	PAD,6X10X14.5,3HLS,2SLOT,W/PRO,RASP	15.6
CWPD1308C-111	PAD,6X10X14.5,3HLS,2SLOT,W/PRO,PLUM	15.61
CWPD1308C-112	PAD,6X10X14.5,3HLS,2SLOT,W/PRO,RGMN	15.62
CWPD1308C-113	PAD,6X10X14.5,3HLS,2SLOT,W/PRO,SPC	15.63
CWPD1308C-115	PAD,6X10X14.5,3HLS,2SLOT,W/PR,BLK L	15.65
CWPD1308C-116	PAD,6X10X14.5,3HLS,2SLOT,W/PR,NBLT	15.66
CWPD1308C-117	PAD,6X10X14.5,3HL,2SLOT,W/PRO,PUTTY	15.67
CWPD1308C-118	PAD,6X10X14.5,3HL,2SLT,W/PRO,IMP BL	15.68
CWPD1308C-119	PAD,6X10X14.5,3HL,2SLT,W/PRO,YW GRN	15.69
CWPD1308C-121	PAD,6X10X14.5,3HL,2SLT,W/PRO,TRA CT	15.71
CWPD1308C-122	PAD,6X10X14.5,3HL,2SLT,W/PRO,PAPRKA	15.72
CWPD1308C-123	PD,6X10X14.5,3H,2SLT,W/PRO,ASH LTHR	15.73
CWPD1308C-124	PD,6X10X14.5,3H,2SLT,W/PR,CERLN LTH	15.74
CWPD1308C-125	PD,6X10X14.5,3H,2SLT,W/PR,CHRCL LTH	15.75
CWPD1308C-126	PD,6X10X14.5,3H,2SLT,W/PR,HUNTR LTH	15.76
CWPD1308C-127	PD,6X10X14.5,3H,2SLT,W/PR,MOSS LTH	15.77
CWPD1308C-128	PD,6X10X14.5,3H,2SLT,W/PR,SPICE LTH	15.78
CWPD1308C-129	PD,6X10X14.5,3H,2SLT,W/PR,TOMTO LTH	15.79
CWSA1100-721	ASSY, ADJUSTMENT, BACK, 119, WRKL	16

CWSA1101-721	ASSY, ADJUSTMENT, SEAT, 119, WRKL B	17
CWHCYN050-100	SCREW,HEX HEAD,BLK XYLAN,1/2-13 X 1	18
CWKDYN025-059	LOCKNUT, NYLON INSERT, FULL, UNC, 1	19
CWTAYN031-100	SCREW, BUTTON HEAD, BLK XYLAN, 5/1	20
CWTAYN031-300	SCREW, BUTTON HEAD, BLK XYLAN,5/16	21
CWWBKN031-007	WASHER, FLAT, TYPE A, SAE, 5/16 ID	22
CWWBKN038-007	WASHER, FLAT, TYPE A, SAE, 3/8 ID	23
CWWBKN050-010	WASHER, FLAT, TYPE A, SAE, 1/2 ID X	24
CWWALYN031-008	WASHER, SPLIT, 5/16 ID, BL	25
CWWALYN038-009	WASHER, SPLIT, 3/8 ID, BLK XYLAN	26
CWWALYN050-013	WASHER, SPLIT, 1/2 ID, BLK XYLAN	27
CWCAYN038-125	SCREW, SOCKET HEAD, BLK X	28
CWRANN025-025	BOLT, SHOULDER, 1/4-20 X 5/16 X 1/4	29
CWAC1177-101	FLOOR PROTECTOR, RUBBER, 4.563 X 4.	501
CWAC1179-101	FLOOR PROTECTOR, RUBBER, 4.813 X 2.	502

119 Super Bench

Part Number	Description	Bubble Number
CW119SA1-211	ASSY,FRAME,MAIN,119,SKY WHITE	1.01
CW119SA1-221	ASSY,FRAME,MAIN,119,BLACK	1.02
CW119SA1-231	ASSY,FRAME,MAIN,119,RED	1.03
CW119SA1-241	ASSY,FRAME,MAIN,119,BLACK ONYX	1.04
CW119SA1-251	ASSY,FRAME,MAIN,119,SILVER	1.05
CW119SA1-261	ASSY,FRAME,MAIN,119,BLUE	1.06
CW119SA1-271	ASSY,FRAME,MAIN,119,CHARCOAL	1.07
CW119SA1-281	ASSY,FRAME,MAIN,119,CATHEDRAL GREY	1.08
CW119SA1-291	ASSY,FRAME,MAIN,119,SILVER VIEN	1.09
CW119SA1-311	ASSY,FRAME,MAIN,119,STONE HG	1.11
CW119SA1-321	ASSY,FRAME,MAIN,119,TITANIUM HG	1.12
CW119SA1-331	ASSY,FRAME,MAIN,119,WHITE GLOSS	1.13
CW119SA1-341	ASSY,FRAME,MAIN,119,BLACK ONYX	1.14
CW119SA1-351	ASSY,FRAME,MAIN,119,LIGHT BRONZE	1.15
CW119SA1-361	ASSY,FRAME,MAIN,119,SAPPHIRE BLUE	1.16
CW119SA2-211	ASSY,FRAME,BACK,119,SKY WHITE	2.01
CW119SA2-221	ASSY,FRAME,BACK,119,BLACK	2.02
CW119SA2-231	ASSY,FRAME,BACK,119,RED	2.03
CW119SA2-241	ASSY,FRAME,BACK,119,PLATINUM SPRKL	2.04
CW119SA2-251	ASSY,FRAME,BACK,119,SILVER	2.05
CW119SA2-261	ASSY,FRAME,BACK,119,BLUE	2.06
CW119SA2-271	ASSY,FRAME,BACK,119,CHARCOAL	2.07
CW119SA2-281	ASSY,FRAME,BACK,119,CATHEDRAL GREY	2.08
CW119SA2-291	ASSY,FRAME,BACK,119,SILVER VIEN	2.09
CW119SA2-311	ASSY,FRAME,BACK,119,STONE HG	2.11
CW119SA2-321	ASSY,FRAME,BACK,119,TITANIUM HG	2.12
CW119SA2-331	ASSY,FRAME,BACK,119,WHITE GLOSS	2.13
CW119SA2-341	ASSY,FRAME,BACK,119,BLACK ONYX	2.14
CW119SA2-351	ASSY,FRAME,BACK,119,LIGHT BRONZE	2.15
CW119SA2-361	ASSY,FRAME,BACK,119,SAPPHIRE BLUE	2.16
CW31759-101	LABEL,SMALL PRECOR USA ICARIAN LINE	3
CW12406-101	PILLOW BLOCK, BEARING, 2 BOLT	4
CW11311-102	ENDCAP, REC TUBE, 2X4, BLK PLASTIC	5
CW30165-751	ASSY, POP PIN, 0.450 DIA HANDLE, B	6
CWGR2504-500	GRIP,RUBBER,3/4" DIA, 4-1/2"	9
CW12410-101	ASSY, WHEEL, 80MM OD, 82A, W/ BEARI	10
CWAC220-901	HANDLE END CAP W/SET SCREWS, DIA 3/	11
CW30014-105	CUT PIECE, CREPE, 7/16 X 2 X 4	12
CW10340-088	TUBE, VINYL, 5/8 OD X 3/8 ID X .875	13
CWPD1307B-101	PAD,10X36,4HLS,NTCHD END,W/BP,BLACK	14.01
CWPD1307B-102	PAD,10X36,4HLS,NTCHD END,W/BP,RYL B	14.02
CWPD1307B-103	PAD,10X36,4HLS,NTCHD END,W/BP,DV GR	14.03
CWPD1307B-104	PAD,10X36,4HLS,NTCHD END,W/BP,CRCUS	14.04
CWPD1307B-105	PAD,10X36,4HLS,NTCHD END,W/BP,GROTT	14.05
CWPD1307B-106	PAD,10X36,4HLS,NTCHD END,W/BP,GRPHT	14.06
CWPD1307B-107	PAD,10X36,4HLS,NTCHD END,W/BP,RED	14.07
CWPD1307B-108	PAD,10X36,4HLS,NTCHD END,W/BP,CHGRN	14.08
CWPD1307B-109	PAD,10X36,4HLS,NTCHD END,W/BP,TURQS	14.09
CWPD1307B-110	PAD,10X36,4HLS,NTCHD END,W/BP,RASP	14.1

CWPD1307B-111	PAD,10X36,4HLS,NTCHD END,W/BP,PLUM	14.11
CWPD1307B-112	PAD,10X36,4HLS,NTCHD END,W/BP,RGMNT	14.12
CWPD1307B-113	PAD,10X36,4HLS,NTCHD END,W/BP,SP BL	14.13
CWPD1307B-115	PAD,10X36,4HL,NTCHD END,W/BP,BLK LT	14.15
CWPD1307B-116	PAD,10X36,4HL,NTCHD END,W/BP,NBL LT	14.16
CWPD1307B-117	PAD,10X36,4HL,NTCHD END,W/BP,PUTTY	14.17
CWPD1307B-118	PAD,10X36,4HL,NTCHD END,W/BP,IMPL BL	14.18
CWPD1307B-119	PAD,10X36,4HL,NTCHD END,W/BP,YW GRN	14.19
CWPD1307B-120	PAD,10X36,4HL,NTCHD END,W/BP,DSTY JD	14.2
CWPD1307B-121	PAD,10X36,4HL,NTCHD END,W/BP,TER COT	14.21
CWPD1307B-122	PAD,10X36,4HL,NTCHD END,W/BP,PAPRIKA	14.22
CWPD1307B-123	PAD,10X36,4HL,NTCHD END,W/BP,ASH LTH	14.23
CWPD1307B-124	PD,10X36,4H,NTCHEND,W/BP,CERULN LTH	14.24
CWPD1307B-125	PD,10X36,4H,NTCHEND,W/BP,CHARCL LTH	14.25
CWPD1307B-126	PD,10X36,4H,NTCHEND,W/BP,HUNTR LTH	14.26
CWPD1307B-127	PD,10X36,4H,NTCHD END,W/BP,MOSS LTH	14.27
CWPD1307B-128	PD,10X36,4H,NTCHD END,W/BP,SPICE LTH	14.28
CWPD1307B-129	PD,10X36,4H,NTCHD END,W/BP,TOMTO LTH	14.29
CWPD1307C-101	PAD,10X36,4HL,NTCHD END,W/PRO,BLACK	14.51
CWPD1307C-102	PAD,10X36,4HL,NTCHD END,W/PRO,RY BL	14.52
CWPD1307C-103	PAD,10X36,4HL,NTCHD END,W/PRO,DV GR	14.53
CWPD1307C-104	PAD,10X36,4HL,NTCHD END,W/PRO,CRCUS	14.54
CWPD1307C-105	PAD,10X36,4HL,NTCHD END,W/PRO,GRTTO	14.55
CWPD1307C-106	PAD,10X36,4HL,NTCHD END,W/PRO,GRPHT	14.56
CWPD1307C-107	PAD,10X36,4HL,NTCHD END,W/PRO,RED	14.57
CWPD1307C-108	PAD,10X36,4HL,NTCHD END,W/PRO,CH GR	14.58
CWPD1307C-109	PAD,10X36,4HL,NTCHD END,W/PRO,TURQS	14.59
CWPD1307C-110	PAD,10X36,4HL,NTCHD END,W/PRO,RASP	14.6
CWPD1307C-111	PAD,10X36,4HL,NTCHD END,W/PRO,PLUM	14.61
CWPD1307C-112	PAD,10X36,4HL,NTCHD END,W/PRO,RGMNT	14.62
CWPD1307C-113	PAD,10X36,4HL,NTCHD END,W/PRO,SPC B	14.63
CWPD1307C-115	PAD,10X36,4HL,NTCHD END,W/PR,BLK LT	14.65
CWPD1307C-116	PAD,10X36,4HL,NTCHD END,W/PR,NBL LT	14.66
CWPD1307C-117	PAD,10X36,4HL,NTCHD END,W/PRO,PUTTY	14.67
CWPD1307C-118	PAD,10X36,4HL,NTCHD END,W/PRO,IMP BL	14.68
CWPD1307C-119	PAD,10X36,4HL,NTCHD END,W/PRO,YW GRN	14.69
CWPD1307C-120	PAD,10X36,4HL,NTCHD END,W/PRO,DST JD	14.7
CWPD1307C-121	PAD,10X36,4HL,NTCHD END,W/PRO,TRA CT	14.71
CWPD1307C-122	PAD,10X36,4HL,NTCHD END,W/PRO,PAPRKA	14.72
CWPD1307C-123	PD,10X36,4H,NTCHEND,W/PRO,ASH LTHR	14.73
CWPD1307C-124	PD,10X36,4H,NTCHEND,W/PRO,CERLN LTH	14.74
CWPD1307C-125	PD,10X36,4H,NTCHEND,W/PRO,CHRCL LTH	14.75
CWPD1307C-126	PD,10X36,4H,NTCHEND,W/PRO,HUNTR LTH	14.76
CWPD1307C-127	PD,10X36,4H,NTCHEND,W/PRO,MOSS LTH	14.77
CWPD1307C-128	PD,10X36,4H,NTCHEND,W/PRO,SPICE LTH	14.78
CWPD1307C-129	PD,10X36,4H,NTCHEND,W/PRO,TOMTO LTH	14.79
CWPD1308B-101	PAD,6X10X14.5,3HLS,2SLOT,W/BP,BLACK	15.01
CWPD1308B-102	PAD,6X10X14.5,3HLS,2SLOT,W/BP,RYL B	15.02
CWPD1308B-103	PAD,6X10X14.5,3HLS,2SLOT,W/BP,DV GR	15.03
CWPD1308B-104	PAD,6X10X14.5,3HLS,2SLOT,W/BP,CRCUS	15.04
CWPD1308B-105	PAD,6X10X14.5,3HLS,2SLOT,W/BP,GROTT	15.05

CWPD1308B-106	PAD,6X10X14.5,3HLS,2SLOT,W/BP,GRPHT	15.06
CWPD1308B-107	PAD,6X10X14.5,3HLS,2SLOT,W/BP,RED	15.07
CWPD1308B-108	PAD,6X10X14.5,3HLS,2SLOT,W/BP,CHGRN	15.08
CWPD1308B-109	PAD,6X10X14.5,3HLS,2SLOT,W/BP,TURQS	15.09
CWPD1308B-110	PAD,6X10X14.5,3HLS,2SLOT,W/BP,RASP	15.1
CWPD1308B-111	PAD,6X10X14.5,3HLS,2SLOT,W/BP,PLUM	15.11
CWPD1308B-112	PAD,6X10X14.5,3HLS,2SLOT,W/BP,RGMNT	15.12
CWPD1308B-113	PAD,6X10X14.5,3HLS,2SLOT,W/BP,SP BL	15.13
CWPD1308B-115	PAD,6X10X14.5,3HLS,2SLOT,W/BP,BLK L	15.15
CWPD1308B-116	PAD,6X10X14.5,3HLS,2SLOT,W/BP,NBL L	15.16
CWPD1308B-117	PAD,6X10X14.5,3HLS,2SLOT,W/BP,PUTTY	15.17
CWPD1308B-118	PAD,6X10X14.5,3HL,2SLT,W/BP,IMPL BL	15.18
CWPD1308B-119	PAD,6X10X14.5,3HLS,2SLT,W/BP,YW GRN	15.19
CWPD1308B-120	PAD,6X10X14.5,3HLS,2SLT,W/BP,DST JD	15.2
CWPD1308B-121	PAD,6X10X14.5,3HL,2SLT,W/BP,TER COT	15.21
CWPD1308B-122	PAD,6X10X14.5,3HL,2SLT,W/BP,PAPRIKA	15.22
CWPD1308B-123	PD,6X10X14.5,3H,2SLT,W/BP,ASH LTHR	15.23
CWPD1308B-124	PD,6X10X14.5,3H,2SLT,W/BP,CERLN LTH	15.24
CWPD1308B-125	PD,6X10X14.5,3H,2SLT,W/BP,CHRCL LTH	15.25
CWPD1308B-126	PD,6X10X14.5,3H,2SLT,W/BP,HUNTR LTH	15.26
CWPD1308B-127	PD,6X10X14.5,3H,2SLT,W/BP,MOSS LTH	15.27
CWPD1308B-128	PD,6X10X14.5,3H,2SLT,W/BP,SPICE LTH	15.28
CWPD1308B-129	PD,6X10X14.5,3H,2SLT,W/BP,TOMTO LTH	15.29
CWPD1308C-101	PAD,6X10X14.5,3HLS,2SLOT,W/PRO,BLAC	15.51
CWPD1308C-102	PAD,6X10X14.5,3HLS,2SLOT,W/PRO,RY B	15.52
CWPD1308C-103	PAD,6X10X14.5,3HLS,2SLOT,W/PRO,DV G	15.53
CWPD1308C-104	PAD,6X10X14.5,3HLS,2SLOT,W/PRO,CRCU	15.54
CWPD1308C-105	PAD,6X10X14.5,3HLS,2SLOT,W/PRO,GRTT	15.55
CWPD1308C-106	PAD,6X10X14.5,3HLS,2SLOT,W/PRO,GRPH	15.56
CWPD1308C-107	PAD,6X10X14.5,3HLS,2SLOT,W/PRO,RED	15.57
CWPD1308C-108	PAD,6X10X14.5,3HLS,2SLOT,W/PRO,CHGR	15.58
CWPD1308C-109	PAD,6X10X14.5,3HLS,2SLOT,W/PRO,TURQ	15.59
CWPD1308C-110	PAD,6X10X14.5,3HLS,2SLOT,W/PRO,RASP	15.6
CWPD1308C-111	PAD,6X10X14.5,3HLS,2SLOT,W/PRO,PLUM	15.61
CWPD1308C-112	PAD,6X10X14.5,3HLS,2SLOT,W/PRO,RGMN	15.62
CWPD1308C-113	PAD,6X10X14.5,3HLS,2SLOT,W/PRO,SPC	15.63
CWPD1308C-115	PAD,6X10X14.5,3HLS,2SLOT,W/PR,BLK L	15.65
CWPD1308C-116	PAD,6X10X14.5,3HLS,2SLOT,W/PR,NBLT	15.66
CWPD1308C-117	PAD,6X10X14.5,3HL,2SLOT,W/PRO,PUTTY	15.67
CWPD1308C-118	PAD,6X10X14.5,3HL,2SLT,W/PRO,IMP BL	15.68
CWPD1308C-119	PAD,6X10X14.5,3HL,2SLT,W/PRO,YW GRN	15.69
CWPD1308C-121	PAD,6X10X14.5,3HL,2SLT,W/PRO,TRA CT	15.71
CWPD1308C-122	PAD,6X10X14.5,3HL,2SLT,W/PRO,PAPRKA	15.72
CWPD1308C-123	PD,6X10X14.5,3H,2SLT,W/PRO,ASH LTHR	15.73
CWPD1308C-124	PD,6X10X14.5,3H,2SLT,W/PR,CERLN LTH	15.74
CWPD1308C-125	PD,6X10X14.5,3H,2SLT,W/PR,CHRCL LTH	15.75
CWPD1308C-126	PD,6X10X14.5,3H,2SLT,W/PR,HUNTR LTH	15.76
CWPD1308C-127	PD,6X10X14.5,3H,2SLT,W/PR,MOSS LTH	15.77
CWPD1308C-128	PD,6X10X14.5,3H,2SLT,W/PR,SPICE LTH	15.78
CWPD1308C-129	PD,6X10X14.5,3H,2SLT,W/PR,TOMTO LTH	15.79
CWSA1100-721	ASSY, ADJUSTMENT, BACK, 119, WRKL	16

CWSA1101-721	ASSY, ADJUSTMENT, SEAT, 119, WRKL B	17
CWHCYN050-100	SCREW,HEX HEAD,BLK XYLAN,1/2-13 X 1	18
CWKDYN025-059	LOCKNUT, NYLON INSERT, FULL, UNC, 1	19
CWTAYN031-100	SCREW, BUTTON HEAD, BLK XYLAN, 5/1	20
CWTAYN031-300	SCREW, BUTTON HEAD, BLK XYLAN,5/16	21
CWWBKN031-007	WASHER, FLAT, TYPE A, SAE, 5/16 ID	22
CWWBKN038-007	WASHER, FLAT, TYPE A, SAE, 3/8 ID	23
CWWBKN050-010	WASHER, FLAT, TYPE A, SAE, 1/2 ID X	24
CWWALYN031-008	WASHER, SPLIT, 5/16 ID, BL	25
CWWALYN038-009	WASHER, SPLIT, 3/8 ID, BLK XYLAN	26
CWWALYN050-013	WASHER, SPLIT, 1/2 ID, BLK XYLAN	27
CWCAYN038-125	SCREW, SOCKET HEAD, BLK X	28
CWRANN025-025	BOLT, SHOULDER, 1/4-20 X 5/16 X 1/4	29
CWAC1177-101	FLOOR PROTECTOR, RUBBER, 4.563 X 4.	501
CWAC1179-101	FLOOR PROTECTOR, RUBBER, 4.813 X 2.	502